



LEAPTON
SOLAR

Monofacial

Bifacial

LP182*182-M-78-NH

N-Type TOPCon

Rated Power 600-625W



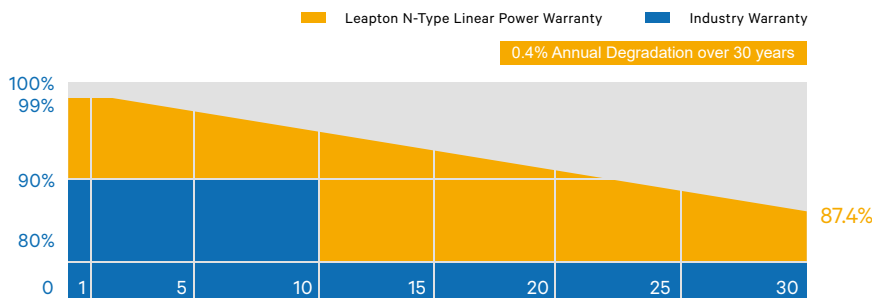
N-Type MBB Cell
New circuit design N-type cells, can increase the output power of 10W~20W



Low Light Features
Higher performance under low light environment.



Higher Output Power
Module adopts 156 pcs of 182*182mm half cells, the maximum power can reach 625W.



IEC 61215-2: 2016
IEC 61730-2: 2016



Headquarter : Leapton Energy Co., Ltd.

Tosei Bldg. 6F, 1-2-1 Aioi-cho, Chuo-ku Kobe-shi, Hyogo, 650-0025, Japan

+81-78-382-3182

www.leaptonenergy.jp

Manufacturer : Leapton Solar (Changshu) Co., Ltd.

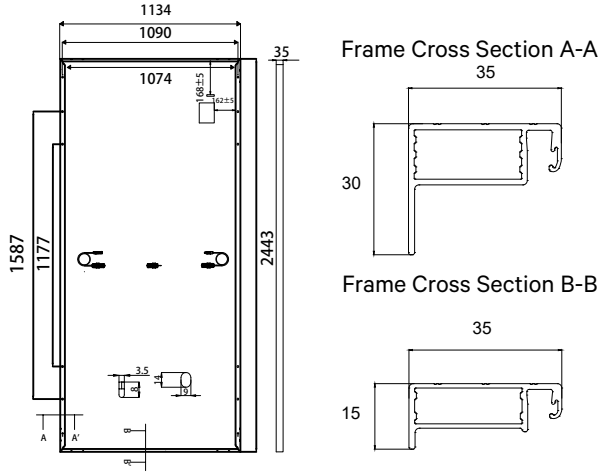
No.9, Sunshine Avenue, Changshu City, Jiangsu, China

+86-512-88800068

info@leaptonenergy.com

www.leaptonpv.com

MECHANICAL DIAGRAMS



SPECIFICATIONS

Weight	29kg
Dimensions	2443mm*1134mm*35mm
Cell Dimensions	182*182mm
Maximum System Voltage	1500V
Junction Box	IP68
Frame	Aluminum Alloy
Cable	4mm ² , N 1500mm/P 1500mm or customized length
Connector	PV-GZX 1500 NINGBO GZX PV TECHNOLOGY CO., LTD.
Application Level	Class A
Country of Manufacturer	China
Fire Safety Class	Class C according to ANSI/UL 1703-2018

ELECTRICAL PARAMETERS AT STC

Module name	LP182*182-M	LP182*182-M	LP182*182-M	LP182*182-M
	-78-NH-600W	-78-NH-610W	-78-NH-620W	-78-NH-625W
Power	600W±3%	610W±3%	620W±3%	625W±3%
Open Circuit Voltage	55.03V±5%	55.33V±5%	55.63V±5%	55.78V±5%
Short Circuit Current	13.95A±5%	14.09A±5%	14.23A±5%	14.30A±5%
Maximum Power Voltage	45.46V	45.66V	45.86V	45.96V
Maximum Power Current	13.20A	13.36A	13.52A	13.60A
Module Efficiency	21.66%	22.02%	22.38%	22.56%

* Under Standard Test Conditions (STC) of irradiance of 1000 W/m², spectrum AM 1.5 and cell temperature of 25°C.

ELECTRICAL PARAMETERS AT NMOT

Power	451W	459W	467W	470W
Open Circuit Voltage	52.28V	52.56V	52.84V	52.98V
Short Circuit Current	11.26A	11.37A	11.48A	11.54A
Maximum Power Voltage	42.15V	42.38V	42.61V	42.72V
Maximum Power Current	10.71A	10.83A	10.95A	11.01A
Module Efficiency	16.28%	16.57%	16.86%	16.97%

* Under Nominal Module Operating Temperature (NMOT), irradiance of 800 W/m², spectrum AM 1.5, ambient temperature 20°C, wind speed 1 m/s.

TEMPERATURE CHARACTERISTICS

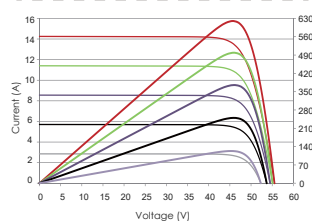
NMOT	41±3°C	Temp Coefficient of ISC	+0.046%/°C
Temp Coefficient of VOC	-0.25%/°C	Temp Coefficient of Pmax	-0.30%/°C

PACKING CONFIGURATION

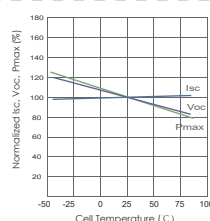
Modules/Pallet	31 Pieces	Modules/40'Container	558 Pieces
Packing Description	17 Pallets, Total=(31+31)x9=558 Pieces		

CHARACTERISTICS

LP182*182-M-78-NH-610W



LP182*182-M-78-NH-610W



MAXIMUM RATING

Power sorting tolerance	±5W
Output Tolerance	±3%
Operating Temperature	-40°C~+85°C
Wind Load/Snow Load	2400pa/5400pa
Fuse Current	25A



Headquarter : Lepton Energy Co., Ltd.

☑ Tosei Bldg. 6F, 1-2-1 Aioi-cho, Chuo-ku Kobe-shi, Hyogo, 650-0025, Japan

☎ +81-78-382-3182

🌐 www.leptonenergy.jp

Manufacturer : Lepton Solar (Changshu) Co., Ltd.

☑ No.9, Sunshine Avenue, Changshu City, Jiangsu, China

☎ +86-512-88800068

✉ info@leptonenergy.com

🌐 www.leptonpv.com