



Monofacial

Bifacial

LP182*182-M-72-NH N-Type TOPCon

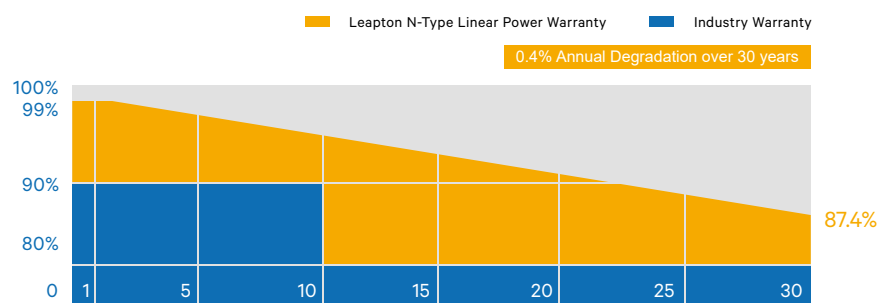
Rated Power 580-600W



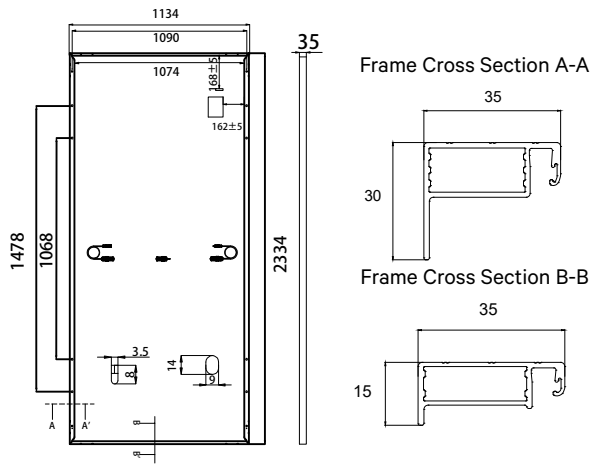
N N-Type MBB Cell
New circuit design N-type cells, can increase the output power of 10W~20W

LOW LIGHT Low Light Features
Higher performance under low light environment.

CONVERSION Higher Output Power
Module adopts 144 pcs of 182*182mm half cells, the maximum power can reach 585W.



MECHANICAL DIAGRAMS



SPECIFICATIONS

| | |
|-------------------------|---|
| Weight | 27.5kg |
| Dimensions | 2334mm*1134mm*35mm |
| Cell Dimensions | 182*182mm |
| Maximum System Voltage | 1500V |
| Junction Box | IP68 |
| Frame | Aluminum Alloy |
| Cable | 4mm ² , N 300mm/P 300mm or customized length |
| Connector | PV-GZX 1500 NINGBO GZX PV TECHNOLOGY CO., LTD. |
| Application Level | Class A |
| Country of Manufacturer | China |
| Fire Safety Class | Class C according to ANSI/UL 1703-2018 |

ELECTRICAL PARAMETERS AT STC

| Module name | LP182*182-M | LP182*182-M | LP182*182-M |
|-----------------------|-------------|-------------|-------------|
| | -72-NH-580W | -72-NH-590W | -72-NH-600W |
| Power | 580W±3% | 590W±3% | 600W±3% |
| Open Circuit Voltage | 51.51V±5% | 51.84V±5% | 52.16V±5% |
| Short Circuit Current | 14.08A±5% | 14.22A±5% | 14.30A±5% |
| Maximum Power Voltage | 42.90V | 43.32V | 43.68V |
| Maximum Power Current | 13.52A | 13.62A | 13.74A |
| Module Efficiency | 21.91% | 22.30% | 22.67% |

* Under Standard Test Conditions (STC) of irradiance of 1000 W/m², spectrum AM 1.5 and cell temperature of 25°C.

ELECTRICAL PARAMETERS AT NMOT

| | | | |
|-----------------------|--------|--------|--------|
| Power | 436W | 444W | 452W |
| Open Circuit Voltage | 48.94V | 49.28V | 49.58V |
| Short Circuit Current | 11.30A | 11.40A | 11.52A |
| Maximum Power Voltage | 40.26V | 40.66V | 40.86V |
| Maximum Power Current | 10.83A | 10.92A | 11.09A |
| Module Efficiency | 16.48% | 16.78% | 17.08% |

* Under Nominal Module Operating Temperature (NMOT), irradiance of 800 W/m², spectrum AM 1.5, ambient temperature 20°C, wind speed 1 m/s.

TEMPERATURE CHARACTERISTICS

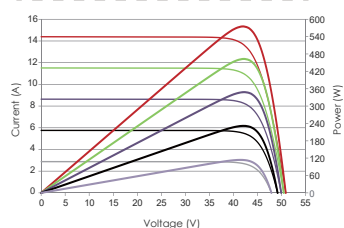
| | | | |
|-------------------------|-----------|--------------------------|------------|
| NMOT | 41±3°C | Temp Coefficient of ISC | +0.046%/°C |
| Temp Coefficient of VOC | -0.25%/°C | Temp Coefficient of Pmax | -0.30%/°C |

PACKING CONFIGURATION

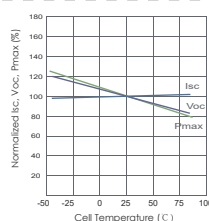
| | | | |
|---------------------|---|----------------------|------------|
| Modules/Pallet | 31 Pieces | Modules/40'Container | 620 Pieces |
| Packing Description | 20 Pallets, Total=(31+31)x10=620 Pieces | | |

CHARACTERISTICS

LP182*182-M-72-NH-580W



LP182*182-M-72-NH-580W



MAXIMUM RATING

| | |
|-------------------------|---------------|
| Power sorting tolerance | ±5W |
| Output Tolerance | ±3% |
| Operating Temperature | -40°C~+85°C |
| Wind Load/Snow Load | 2400pa/5400pa |
| Fuse Current | 25A |

25 YEARS Product Warranty

30 YEARS Power Warranty

Headquarter : Lepton Energy Co., Ltd.

☑ Tosei Bldg. 6F, 1-2-1 Aioi-cho, Chuo-ku Kobe-shi, Hyogo, 650-0025, Japan

☎ +81-78-382-3182

🌐 www.leptonenergy.jp

Manufacturer : Lepton Solar (Changshu) Co., Ltd.

☑ No.9, Sunshine Avenue, Changshu City, Jiangsu, China

☎ +86-512-88800068

✉ info@leptonenergy.com

🌐 www.leptonpv.com