



**LEAPTON**  
SOLAR

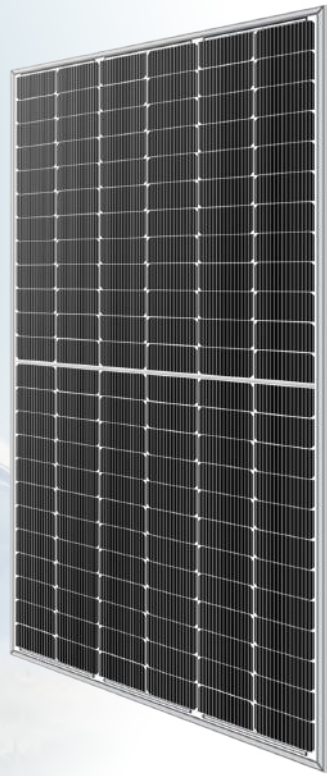
Monofacial

Bifacial

# LP182\*182-M-72-NH

## N-Type TOPCon

Rated Power 570-575W



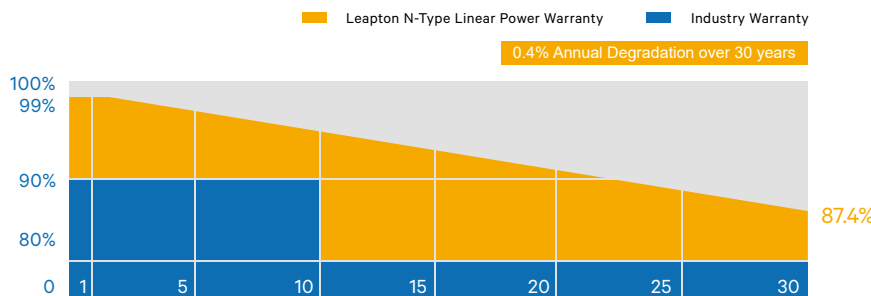
**N-Type MBB Cell**  
New circuit design N-type cells, can increase the output power of 10W~20W



**Low Light Features**  
Higher performance under low light environment.



**Higher Output Power**  
Module adopts 144 pcs of 182\*182mm half cells, the maximum power can reach 585W.



IEC 61215-2: 2016  
IEC 61730-2: 2016



Headquarter : Leapton Energy Co., Ltd.

Tosei Bldg. 6F, 1-2-1 Aioi-cho, Chuo-ku Kobe-shi, Hyogo, 650-0025, Japan

+81-78-382-3182

www.leaptonenergy.jp

Manufacturer : Leapton Solar (Changshu) Co., Ltd.

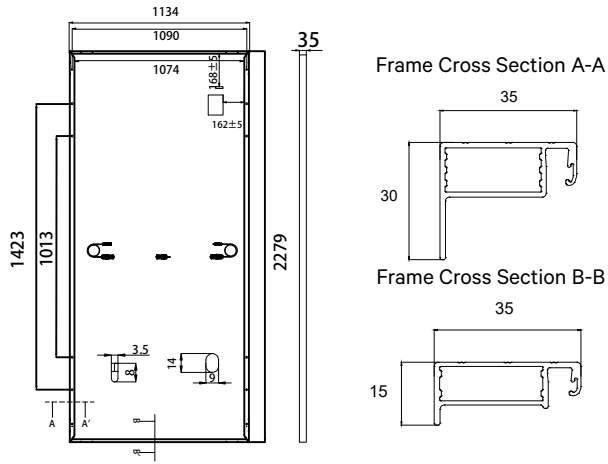
No.9, Sunshine Avenue, Changshu City, Jiangsu, China

+86-512-88800068

info@leaptonenergy.com

www.leaptonpv.com

## MECHANICAL DIAGRAMS



## SPECIFICATIONS

Weight	27kg
Dimensions	2279mm*1134mm*35mm
Cell Dimensions	182*182mm
Cell Amount	72*2 pcs
Maximum System Voltage	1500V
Junction Box	IP68
Frame	Aluminum Alloy
Cable	4mm <sup>2</sup> , N 1400mm/P 1400mm or customized length
Connector	PV-GZX 1500 NINGBO GZX PV TECHNOLOGY CO., LTD.
Application Level	Class A
Country of Manufacturer	China
Fire Safety Class	Class C according to ANSI/UL 1703-2018

## ELECTRICAL PARAMETERS AT STC

Module name	LP182*182-M -72-NH-570W	LP182*182-M -72-NH-575W
Power	570W±3%	575W±3%
Open Circuit Voltage	50.82V±5%	50.96V±5%
Short Circuit Current	14.29A±5%	14.37A±5%
Maximum Power Voltage	42.14V	42.29V
Maximum Power Current	13.53A	13.60A
Module Efficiency	22.06%	22.25%

\* Under Standard Test Conditions (STC) of irradiance of 1000 W/m<sup>2</sup>, spectrum AM 1.5 and cell temperature of 25°C.

## ELECTRICAL PARAMETERS AT NMOT

Power	429W	433W
Open Circuit Voltage	48.28V	48.41V
Short Circuit Current	11.53A	11.60A
Maximum Power Voltage	39.61V	39.70V
Maximum Power Current	10.83A	10.90A
Module Efficiency	16.60%	16.75%

\* Under Nominal Module Operating Temperature (NMOT), irradiance of 800 W/m<sup>2</sup>, spectrum AM 1.5, ambient temperature 20°C, wind speed 1 m/s.

## TEMPERATURE CHARACTERISTICS

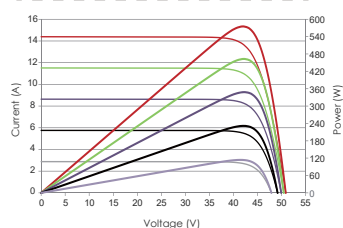
NMOT	41±3°C	Temp Coefficient of ISC	+0.046%/°C
Temp Coefficient of VOC	-0.25%/°C	Temp Coefficient of Pmax	-0.30%/°C

## PACKING CONFIGURATION

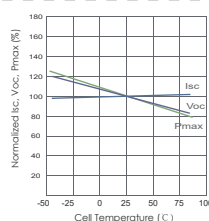
Modules/Pallet	31 Pieces	Modules/40'Container	620 Pieces
Packing Description	20 Pallets, Total=(31+31)x10=620 Pieces		

## CHARACTERISTICS

LP182\*182-M-72-NH-570W



LP182\*182-M-72-NH-570W



## MAXIMUM RATING

Power sorting tolerance	±5W
Output Tolerance	±3%
Operating Temperature	-40°C~+85°C
Wind Load/Snow Load	2400pa/5400pa
Fuse Current	25A



Headquarter : Leapton Energy Co., Ltd.

☞ Tosei Bldg. 6F, 1-2-1 Aioi-cho, Chuo-ku Kobe-shi, Hyogo, 650-0025, Japan

☎ +81-78-382-3182

🌐 www.leaptonenergy.jp

Manufacturer : Leapton Solar (Changshu) Co., Ltd.

☞ No.9, Sunshine Avenue, Changshu City, Jiangsu, China

☎ +86-512-88800068

✉ info@leaptonenergy.com

🌐 www.leaptonpv.com