



Monofacial

Bifacial

LP182*182-M-66-NH N-Type TOPCon

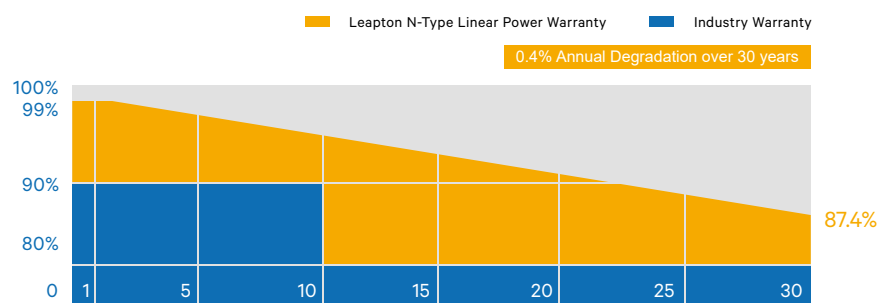
Rated Power 540-550W



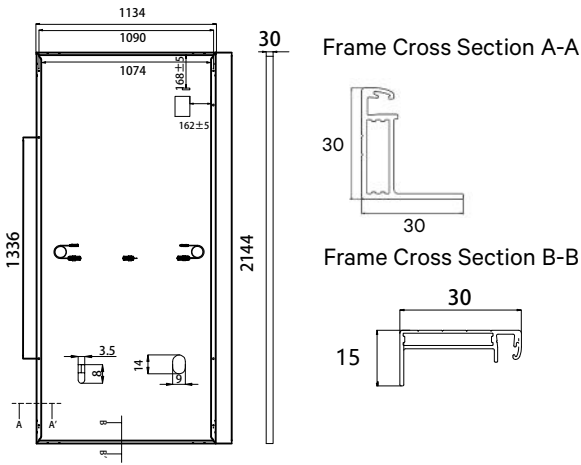
N N-Type MBB Cell
New circuit design N-type cells, can increase the output power of 10W~20W

LOW LIGHT Low Light Features
Higher performance under low light environment.

CONVERSION Higher Output Power
Module adopts 144 pcs of 182*182mm half cells, the maximum power can reach 550W.



MECHANICAL DIAGRAMS



SPECIFICATIONS

| | |
|-------------------------|---|
| Weight | 26kg |
| Dimensions | 2144mm*1134mm*30mm |
| Cell Dimensions | 182*182mm |
| Cell Amount | 66*2 pcs |
| Maximum System Voltage | 1500V |
| Junction Box | IP68 |
| Frame | Aluminum Alloy |
| Cable | 4mm ² , N 1300mm/P 1300mm or customized length |
| Connector | PV-GZX 1500 NINGBO GXZ PV TECHNOLOGY CO., LTD. |
| Application Level | Class A |
| Country of Manufacturer | China |
| Fire Safety Class | Class C according to ANSI/UL 1703-2018 |

ELECTRICAL PARAMETERS AT STC

| Module name | LP182*182-M-66-NH-540W | LP182*182-M-66-NH-550W |
|-----------------------|------------------------|------------------------|
| Power | 540W±3% | 550W±3% |
| Open Circuit Voltage | 47.70V±5% | 48.06V±5% |
| Short Circuit Current | 14.14A±5% | 14.28A±5% |
| Maximum Power Voltage | 39.94V | 40.29V |
| Maximum Power Current | 13.52A | 13.65A |
| Module Efficiency | 22.21% | 22.62% |

* Under Standard Test Conditions (STC) of irradiance of 1000 W/m², spectrum AM 1.5 and cell temperature of 25°C.

ELECTRICAL PARAMETERS AT NMOT

| | | |
|-----------------------|--------|--------|
| Power | 406W | 414W |
| Open Circuit Voltage | 45.29V | 45.66V |
| Short Circuit Current | 11.34A | 11.47A |
| Maximum Power Voltage | 37.52V | 37.86V |
| Maximum Power Current | 10.82A | 10.94A |
| Module Efficiency | 16.70% | 17.03% |

* Under Nominal Module Operating Temperature (NMOT), irradiance of 800 W/m², spectrum AM 1.5, ambient temperature 20°C, wind speed 1 m/s.

TEMPERATURE CHARACTERISTICS

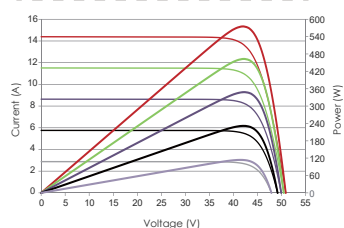
| | | | |
|-------------------------|-----------|--------------------------|------------|
| NMOT | 41±3°C | Temp Coefficient of ISC | +0.046%/°C |
| Temp Coefficient of VOC | -0.25%/°C | Temp Coefficient of Pmax | -0.30%/°C |

PACKING CONFIGURATION

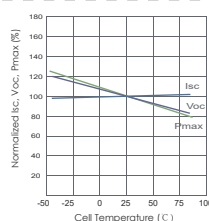
| | | | |
|---------------------|---|----------------------|------------|
| Modules/Pallet | 36 Pieces | Modules/40'Container | 792 Pieces |
| Packing Description | 22 Pallets, Total=(36+36)x11=792 Pieces | | |

CHARACTERISTICS

LP182*182-M-66-NH-550W



LP182*182-M-66-NH-550W



MAXIMUM RATING

| | |
|-------------------------|---------------|
| Power sorting tolerance | ±5W |
| Output Tolerance | ±3% |
| Operating Temperature | -40°C~+85°C |
| Wind Load/Snow Load | 2400pa/5400pa |
| Fuse Current | 25A |

25 YEARS
Product Warranty

30 YEARS
Power Warranty

Headquarter : Lepton Energy Co., Ltd.

☞ Tosei Bldg. 6F, 1-2-1 Aioi-cho, Chuo-ku Kobe-shi, Hyogo, 650-0025, Japan

☎ +81-78-382-3182

🌐 www.leptonenergy.jp

Manufacturer : Lepton Solar (Changshu) Co., Ltd.

☞ No.9, Sunshine Avenue, Changshu City, Jiangsu, China

☎ +86-512-88800068

✉ info@leptonenergy.com

🌐 www.leptonpv.com