



LEAPTON
SOLAR

Monofacial

Bifacial

LP182*182-M-60-NH
Rated Power 490-500W

N-Type TOPCon



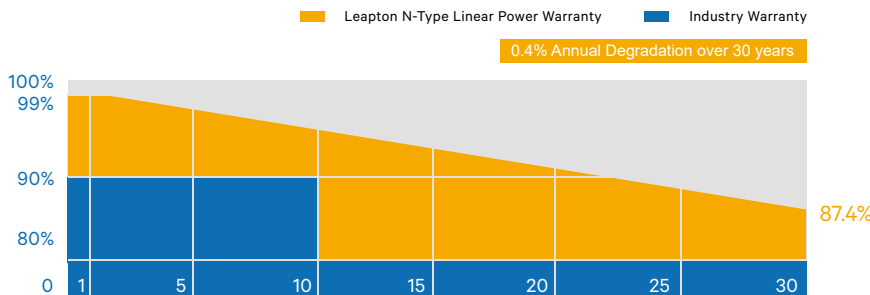
N-Type MBB Cell
New circuit design N-type cells, can increase the output power of 10W~20W



Low Light Features
Higher performance under low light environment.



Higher Output Power
Module adopts 120 pcs of 182*182mm half cells, the maximum power can reach 500W.



IEC 61215-2: 2016
IEC 61730-2: 2016



Headquarter : Lepton Energy Co., Ltd.

Tosei Bldg. 6F, 1-2-1 Aioi-cho, Chuo-ku Kobe-shi, Hyogo, 650-0025, Japan

+81-78-382-3182

www.leptonenergy.jp

Manufacturer : Lepton Solar (Changshu) Co., Ltd.

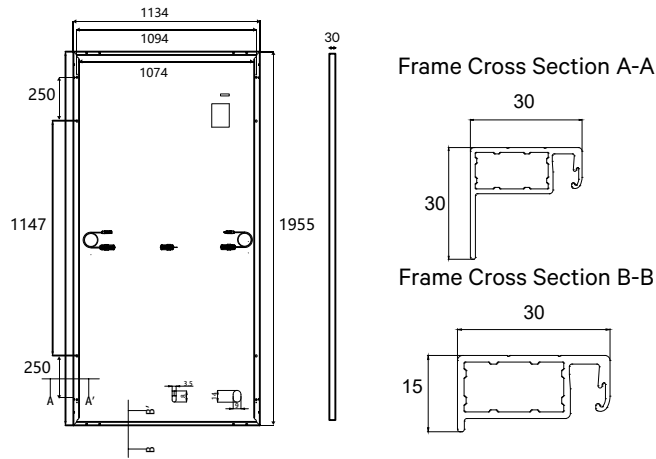
No.9, Sunshine Avenue, Changshu City, Jiangsu, China

+86-512-88800068

info@leptonenergy.com

www.leptonpv.com

MECHANICAL DIAGRAMS



SPECIFICATIONS

Weight	23.5kg
Dimensions	1955mm*1134mm*30mm
Cell Dimensions	182*182mm
Maximum System Voltage	1500V
Junction Box	IP68
Frame	Aluminum Alloy
Cable	4mm ² , N 1200mm/P 1200mm or customized length
Connector	PV-GZX 1500 NINGBO GZX PV TECHNOLOGY CO., LTD.
Application Level	Class A
Country of Manufacturer	China
Fire Safety Class	Class C according to ANSI/UL 1703-2018

ELECTRICAL PARAMETERS AT STC

Module name	LP182*182-M -60-NH-490W	LP182*182-M -60-NH-500W
Power	490W±3%	500W±3%
Open Circuit Voltage	43.57V±5%	43.95V±5%
Short Circuit Current	14.05A±5%	14.19A±5%
Maximum Power Voltage	36.30V	36.68V
Maximum Power Current	13.50A	13.63A
Module Efficiency	22.10%	22.55%

* Under Standard Test Conditions (STC) of irradiance of 1000 W/m², spectrum AM 1.5 and cell temperature of 25°C.

ELECTRICAL PARAMETERS AT NMOT

Power	369W	376W
Open Circuit Voltage	41.40V	41.78V
Short Circuit Current	11.27A	11.36A
Maximum Power Voltage	34.23V	34.61V
Maximum Power Current	10.78A	10.86A
Module Efficiency	16.64%	16.96%

* Under Nominal Module Operating Temperature (NMOT), irradiance of 800 W/m², spectrum AM 1.5, ambient temperature 20°C, wind speed 1 m/s.

TEMPERATURE CHARACTERISTICS

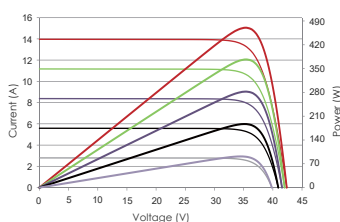
NMOT	41±3°C	Temp Coefficient of ISC	+0.046%/°C
Temp Coefficient of VOC	-0.25%/°C	Temp Coefficient of Pmax	-0.30%/°C

PACKING CONFIGURATION

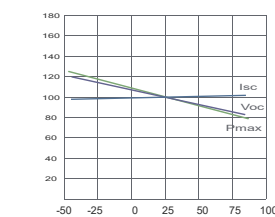
Modules/Pallet	36 Pieces	Modules/40'Container	864 Pieces
Packing Description	24 Pallets, Total=(36+36)x12=864 Pieces		

CHARACTERISTICS

LP182*182-M-60-NH-500W



LP182*182-M-60-NH-500W



MAXIMUM RATING

Power sorting tolerance	±5W
Output Tolerance	±3%
Operating Temperature	-40°C~+85°C
Wind Load/Snow Load	2400pa/5400pa
Fuse Current	25A

25 YEARS
Product
Warranty

30 YEARS
Power
Warranty

Headquarter : Leapton Energy Co., Ltd.

☑ Tosei Bldg. 6F, 1-2-1 Aioi-cho, Chuo-ku Kobe-shi, Hyogo, 650-0025, Japan

☎ +81-78-382-3182

🌐 www.leaptonenergy.jp

Manufacturer : Leapton Solar (Changshu) Co., Ltd.

☑ No.9, Sunshine Avenue, Changshu City, Jiangsu, China

☎ +86-512-88800068

✉ info@leaptonenergy.com

🌐 www.leaptonpv.com