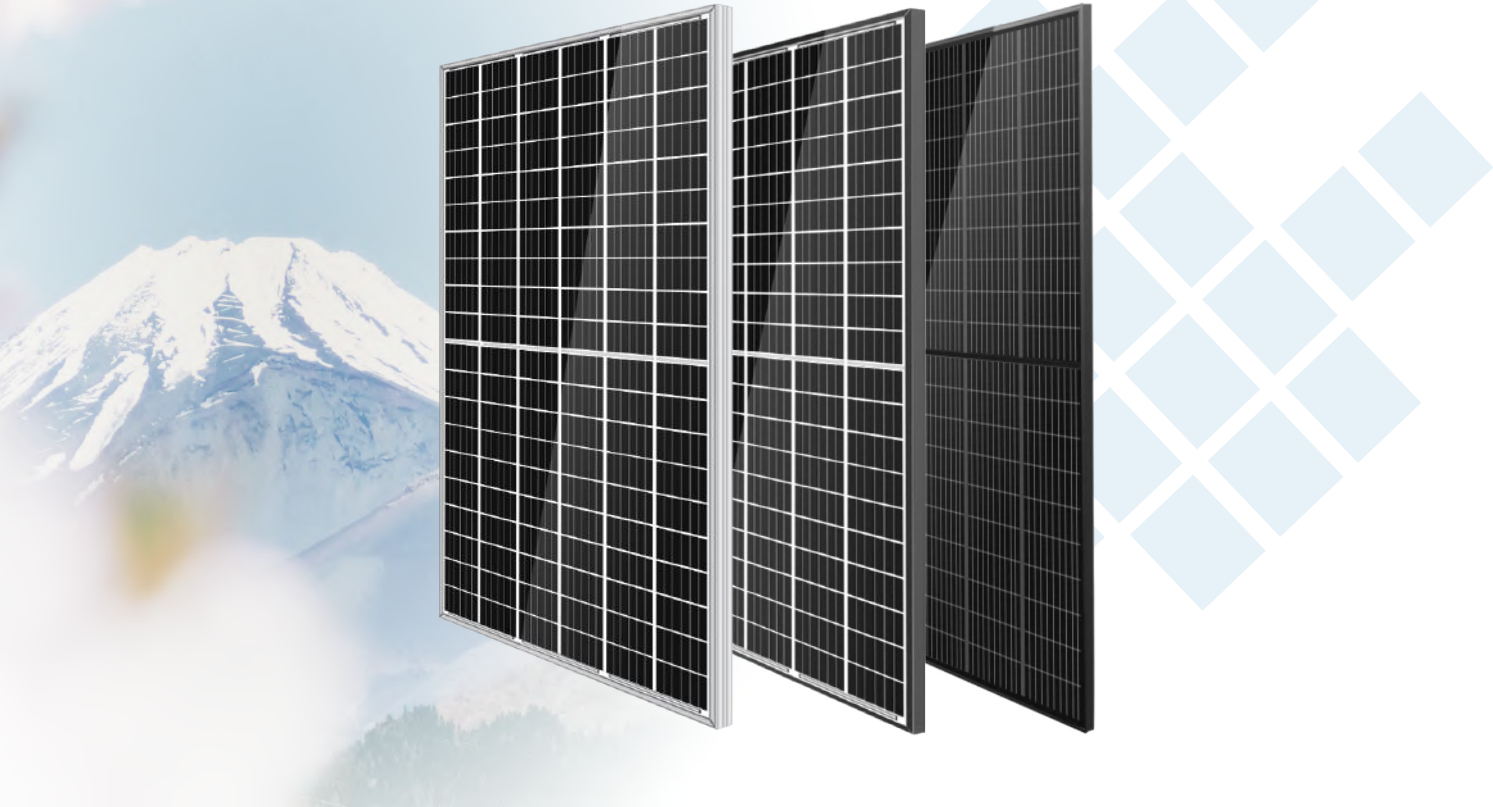


# LP158\*158-M-60-MH

Rated Power 330W



**MBB Cell**  
New circuit design, lower internal current, lower internal resistance loss.



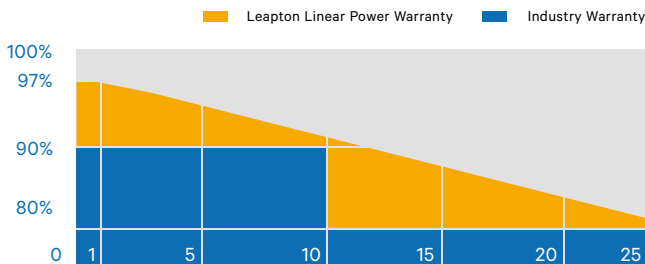
**Low Light Features**  
Higher performance under low light environment.



**Higher Output Power**  
Module adopts 120 pcs of 158\*158mm half cells, the maximum power can reach 330W.



**Load Capacity**  
Mechanical load tests including wind load 2400 Pa and snow load 5400 Pa done by TUV Nord.



Headquarter : Leapton Energy Co., Ltd.

📍 Tosei Bldg. 6F, 1-2-1 Aioi-cho, Chuo-ku Kobe-shi, Hyogo, 650-0025, Japan

Manufacturer : Leapton Solar (Changshu) Co., Ltd.

📍 No.9, Sunshine Avenue, Changshu City, Jiangsu, China

☎ +81-78-382-3182

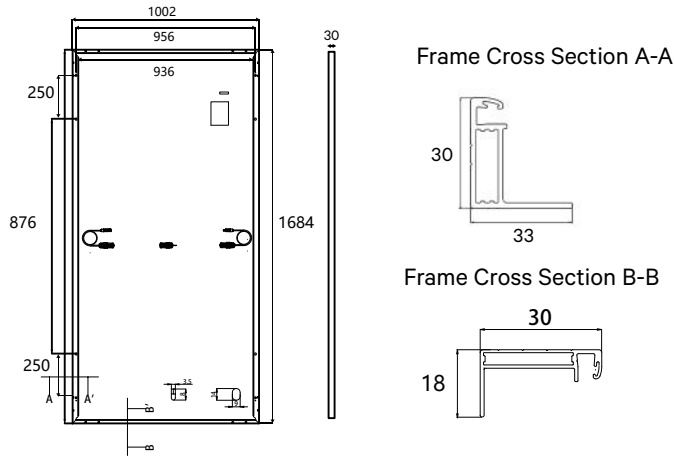
🌐 [www.leaptonenergy.jp](http://www.leaptonenergy.jp)

☎ +86-512-88800068

✉ [info@leaptonenergy.com](mailto:info@leaptonenergy.com)

🌐 [www.leaptonau.com.au](http://www.leaptonau.com.au)

## MECHANICAL DIAGRAMS



## SPECIFICATIONS

Weight	19kg
Dimensions	1684mm*1002mm*30mm
Cell Dimensions	158*158mm
Maximum System Voltage	1500V
Junction Box	IP68
Frame	Aluminum Alloy
Cable	4mm <sup>2</sup> , Landscape: N 1100mm/P 1100mm Portrait: N 150mm/P 300mm
Connector	PV-GZX1500 NINGBO GZX PV TECHNOLOGY CO., LTD.
Application Level	Class A
Country of Manufacturer	China
Fire Safety Class	Class C according to ANSI/UL 1703-2018

## ELECTRICAL PARAMETERS AT STC

Module name	LP158*158-M-60-MH-330W
Power	330W ±3%
Open Circuit Voltage	40.60V ±5%
Short Circuit Current	10.40A ±5%
Maximum Power Voltage	33.80V
Maximum Power Current	9.76A
Module Efficiency	19.6%

\* Under Standard Test Conditions (STC) of irradiance of 1000 W/m<sup>2</sup>, spectrum AM 1.5 and cell temperature of 25°C.

## ELECTRICAL PARAMETERS AT NMOT

Power	249W
Open Circuit Voltage	38.20V
Short Circuit Current	8.39A
Maximum Power Voltage	31.40V
Maximum Power Current	7.93A
Module Efficiency	14.8%

\* Under Nominal Module Operating Temperature (NMOT), irradiance of 800 W/m<sup>2</sup>, spectrum AM 1.5, ambient temperature 20°C, wind speed 1 m/s.

## TEMPERATURE CHARACTERISTICS

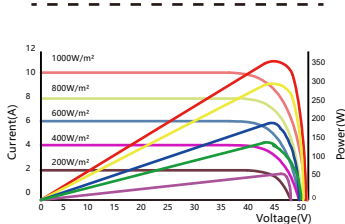
NMOT	41±3°C	Temp Coefficient of ISC	+0.05%/°C
Temp Coefficient of VOC	-0.28%/°C	Temp Coefficient of Pmax	-0.36%/°C

## PACKING CONFIGURATION

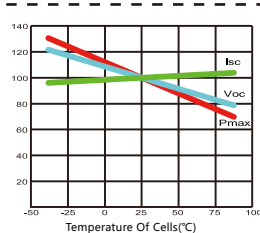
Modules/Pallet	36 Pieces	Modules/40'Container	1027 Pieces
Packing Description	26 Pallets, Total=(36+36+7)x13=1027 Pieces		

## CHARACTERISTICS

LP158\*158-M-60-MH-330W



LP158\*158-M-60-MH-330W



## MAXIMUM RATING

Output Tolerance	±3%
Operating Temperature	-40°C~+85°C
Wind Load/Snow Load	2400pa/5400pa
Fuse Current	15A

**25**  
YEARS  
Product  
Warranty

**25**  
YEARS  
Power  
Warranty