



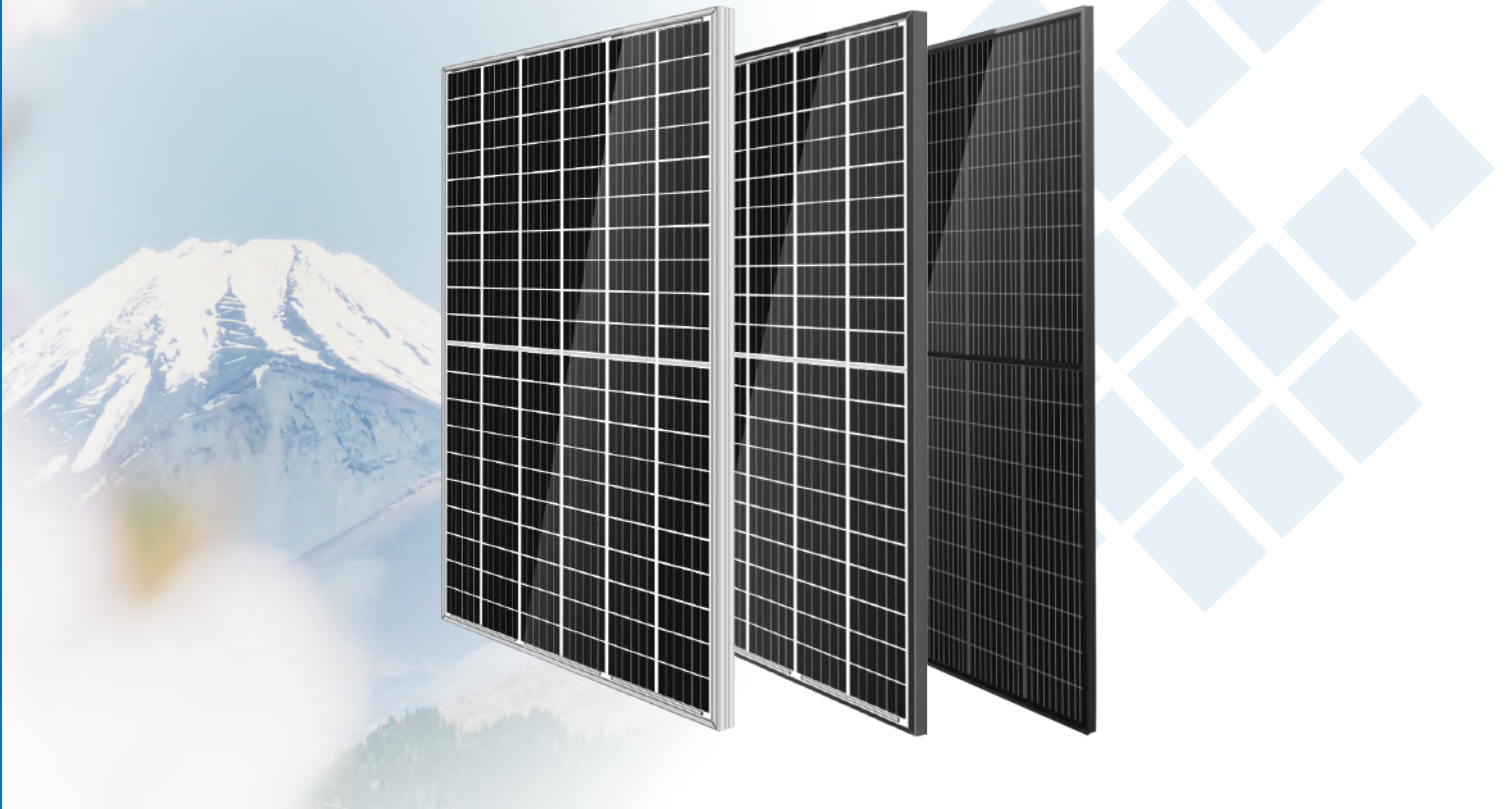
LEAPTON
SOLAR

Monocrystalline

Polycrystalline

LP158*158-M-60-MH

Rated Power 330W



MBB Cell

New circuit design, lower internal current, lower internal resistance loss.



Low Light Features

Higher performance under low light environment.



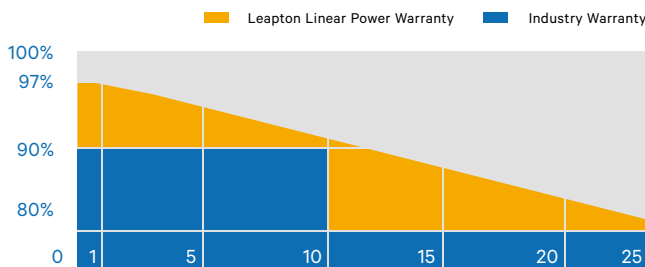
Higher Output Power

Module adopts 120 pcs of 158*158mm half cells, the maximum power can reach 330W.



Load Capacity

Mechanical load tests including wind load 2400 Pa and snow load 5400 Pa done by TUV Nord.



J-PEC Product



• IEC61215
• IEC61730

Headquarter : Leapton Energy Co., Ltd.

Tosei Bldg. 6F, 1-2-1 Aioi-cho, Chuo-ku Kobe-shi, Hyogo, 650-0025, Japan

Manufacturer : Leapton Solar (Changshu) Co., Ltd.

No.9, Sunshine Avenue, Changshu City, Jiangsu, China

+81-78-382-3182

www.leaptonenergy.jp

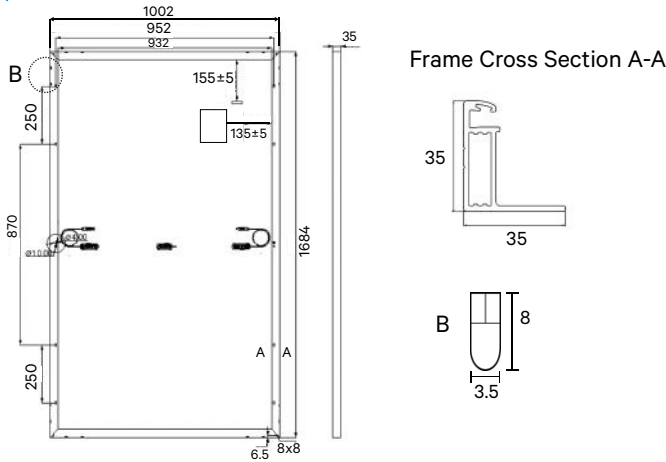
+86-512-88800068

info@leaptonenergy.com

www.leaptonau.com.au



MECHANICAL DIAGRAMS



SPECIFICATIONS

Weight	19kg
Dimensions	1684mm*1002mm*35mm
Cell Dimensions	158*158mm
Maximum System Voltage	1500V
Junction Box	IP68
Frame	Aluminum Alloy
Cable	4mm ² , Landscape: N 1100mm/P 1100mm Portrait: N 150mm/P 300mm
Connector	PV-GZX1500 NINGBO GZX PV TECHNOLOGY CO., LTD.
Application Level	Class A
Country of Manufacturer	China
Fire Safety Class	Class C according to ANSI/UL 1703-2018

ELECTRICAL PARAMETERS AT STC

module name	LP158*158-M-60-MH-330W
Power	330W ±3%
Open Circuit Voltage	40.60V ±5%
Short Circuit Current	10.40A ±5%
Maximum Power Voltage	33.80V
Maximum Power Current	9.76A
Module Efficiency	19.6%

* Under Standard Test Conditions (STC) of irradiance of 1000 W/m², spectrum AM 1.5 and cell temperature of 25°C.

ELECTRICAL PARAMETERS AT NMOT

Power	249W
Open Circuit Voltage	38.20V
Short Circuit Current	8.39A
Maximum Power Voltage	31.40V
Maximum Power Current	7.93A
Module Efficiency	14.8%

* Under Nominal Module Operating Temperature (NMOT), irradiance of 800 W/m², spectrum AM 1.5, ambient temperature 20°C, wind speed 1 m/s.

TEMPERATURE CHARACTERISTICS

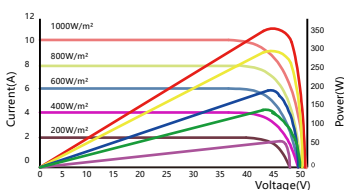
NMOT	41±3°C	Temp Coefficient of ISC	+0.05%/°C
Temp Coefficient of VOC	-0.28%/°C	Temp Coefficient of Pmax	-0.36%/°C

PACKING CONFIGURATION

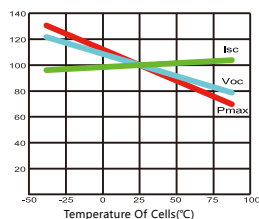
Modules/Pallet	31 Pieces	Modules/40'Container	897 Pieces
Packing Description	26 Pallets, Total=(31+31+7)x13=897 Pieces		

CHARACTERISTICS

LP158*158-M-60-MH-330W



LP158*158-M-60-MH-330W



MAXIMUM RATING

Output Tolerance	±3%
Operating Temperature	-40°C~+85°C
Wind Load/Snow Load	2400pa/5400pa
Fuse Current	15A

