



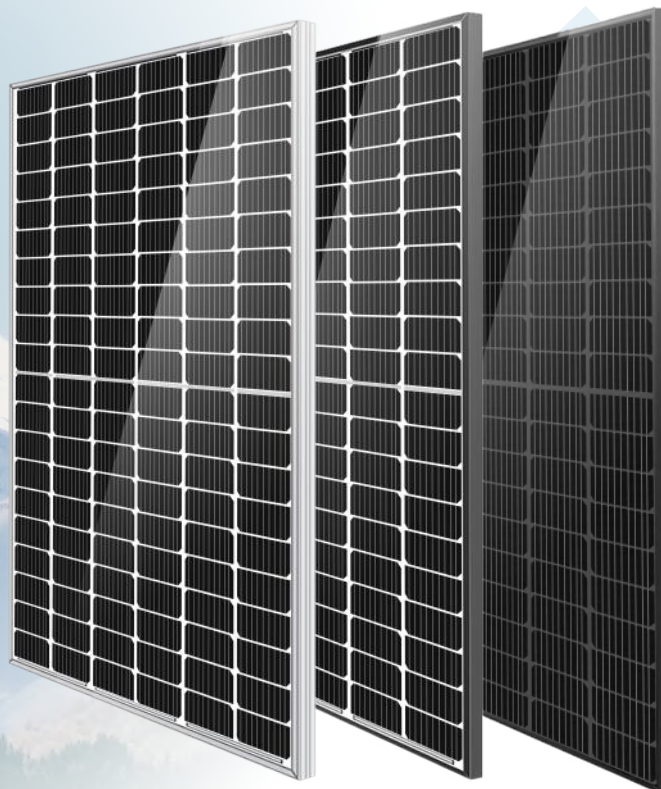
LEAPTON
SOLAR

Monocrystalline

Polycrystalline

LP166*166-M-60-MH

Rated Power 370W



MBB Cell

New circuit design, lower internal current, lower internal resistance loss.



Low Light Features

Higher performance under low light environment.



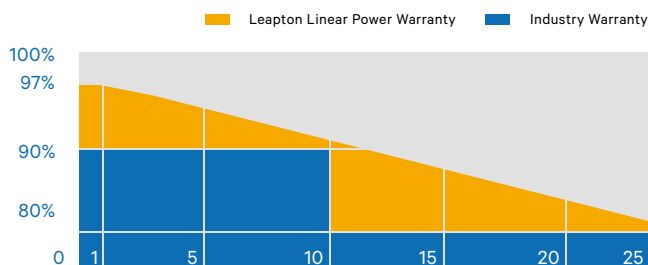
Higher Output Power

Module adopts 120 pcs of 166*166mm half cells, the maximum power can reach 370W.



Load Capacity

Mechanical load tests including wind load 2400 Pa and snow load 5400 Pa done by TUV Nord.



Headquarter : Leapton Energy Co., Ltd.

Tosei Bldg. 6F, 1-2-1 Aioi-cho, Chuo-ku Kobe-shi, Hyogo, 650-0025, Japan

+81-78-382-3182

www.leaptonenergy.jp

Manufacturer : Leapton Solar (Changshu) Co., Ltd.

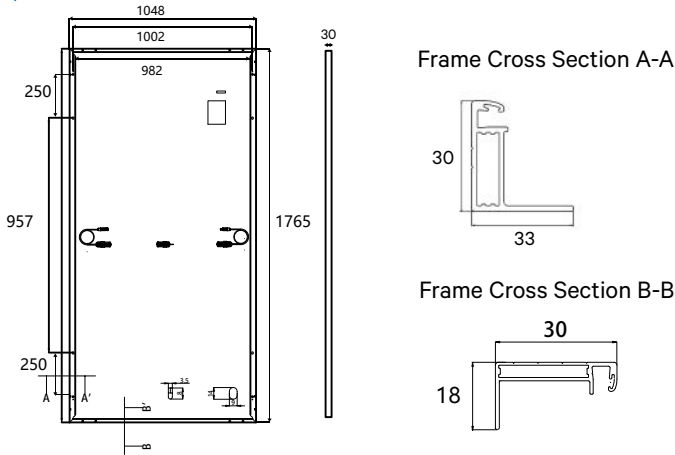
No.9, Sunshine Avenue, Changshu City, Jiangsu, China

+86-512-88800068

info@leaptonenergy.com

www.leaptonau.com.au

MECHANICAL DIAGRAMS



SPECIFICATIONS

Weight	20kg
Dimensions	1765mm*1048mm*30mm
Cell Dimensions	166*166mm
Maximum System Voltage	1500V
Junction Box	IP68
Frame	Aluminum Alloy
Cable	4mm ² , Landscape: N 1100mm/P 1100mm Portrait: N 150mm/P 300mm
Connector	PV-GZX1500 NINGBO GZX PV TECHNOLOGY CO., LTD.
Application Level	Class A
Country of Manufacturer	China
Fire Safety Class	Class C according to ANSI/UL 1703-2018

ELECTRICAL PARAMETERS AT STC

module name	LP166*166-M-60-MH-370W
Power	370W ±3%
Open Circuit Voltage	41.30V ±5%
Short Circuit Current	11.37A ±5%
Maximum Power Voltage	34.10V
Maximum Power Current	10.86A
Module Efficiency	20.0%

* Under Standard Test Conditions (STC) of irradiance of 1000 W/m², spectrum AM 1.5 and cell temperature of 25°C.

ELECTRICAL PARAMETERS AT NMOT

Power	277W
Open Circuit Voltage	38.70V
Short Circuit Current	9.19A
Maximum Power Voltage	31.60V
Maximum Power Current	8.77A
Module Efficiency	15.0%

* Under Nominal Module Operating Temperature (NMOT), irradiance of 800 W/m², spectrum AM 1.5, ambient temperature 20°C, wind speed 1 m/s.

TEMPERATURE CHARACTERISTICS

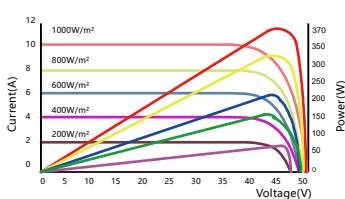
NMOT	41±3°C	Temp Coefficient of ISC	+0.05%/°C
Temp Coefficient of VOC	-0.28%/°C	Temp Coefficient of Pmax	-0.36%/°C

PACKING CONFIGURATION

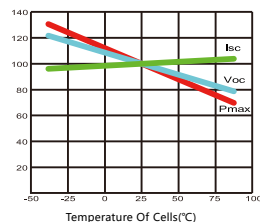
Modules/Pallet	36 Pieces	Modules/40'Container	1001 Pieces
Packing Description	26 Pallets, Total=(36+36+5)x13=1001 Pieces		

CHARACTERISTICS

LP166*166-M-60-MH-370W



LP166*166-M-60-MH-370W



MAXIMUM RATING

Output Tolerance	±3%
Operating Temperature	-40°C~+85°C
Wind Load/Snow Load	2400pa/5400pa
Fuse Current	20A

25
YEARS
Product
Warranty

25
YEARS
Power
Warranty